

Right Connections

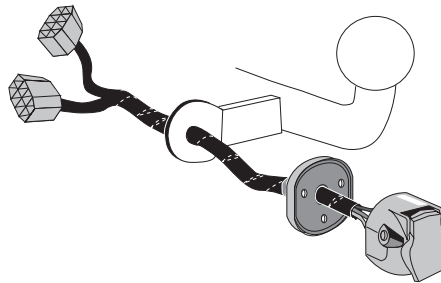
towbar wiring kits for the uk

BMW

X5 G05 11/2018 >>
X6 G06 11/2019 >>
X7 G07 03/2019 >> 07/2022

Part No: BW-031-07

Electric wiring kit for towbars / 7-pin / 12N / 12 Volt / ISO 1724 Fitting instructions



Please note:

This tow bar wiring kit has no influence on the towing vehicle's assistance systems. Assistance systems with emergency brake function (AEB) will not be influenced or automatically deactivated whilst a trailer is attached.

Automatic or remote-controlled parking assistance systems must not be used whilst a trailer is attached!

For more information please refer to the vehicle owner's manual.



IMPORTANT!

This electric kit has to be installed by a professional workshop or a suitable qualified person.

The installation instructions must have been read and fully understood before the start of any installation. Please contact your wiring kit provider or the hotline shown in the footer should you need assistance!

Make sure the vehicle is approved/homologated by the manufacturer to tow a trailer!

Also please check that there is a definite compatibility between this vehicle and the electric kit!

Following the installation of the electric kit, the fitting instructions should be kept together with the vehicle service document and vehicle handbook. The fitting instructions contain important information relating to the use and function of the towing kit as well as for any diagnostic or activation process, that might have to be repeated in the future (e.g. after the performance of a vehicle software update).

All warranty claims will be forfeited if the electric kit or components contained therein are used incorrectly or modified. If a towing socket adaptor has been used to connect to the trailer or bike rack, this must be removed from the trailer socket once the trailer or bike rack has been disconnected.

If the trailer or bike rack is not equipped with a rear fog lamp, depending on the towing vehicle type, the correct function of the towing kit cannot be guaranteed. In such cases, a rear fog lamp should be retro fitted.

This towing electric kit will not be covered under warranty if any technical or electrical modifications or software updates have been performed by the vehicle manufacturer after the initial commissioning of the kit. That applies especially to modifications or updates which may cause malfunctions in the trailer socket or any other part of the trailer electrical equipment!

Depending on the type of trailer module used in this electric kit, diagnostic interrogation with the vehicle's electrical system may be limited or will not function. The error memory inside the trailer module may not be able to be accessed by vehicle manufacturers diagnostic system.

Error logs relating to the trailer electrical equipment, that may be generated in the vehicle manufacturers diagnostic system as a result of a test procedure, may be due to the incorrect installation of the towing electric kit or the false activation of the trailer module.

We always recommend whenever possible, the following troubleshooting process:

→ **An analysis of the vehicle's error memory and possibly clearing of all faults before the start of the installation!**

→ **Try disconnecting the trailer module from the towing harness and re-start the fault clearing process!**

→ **If in doubt, limit the time for troubleshooting to a max of 0,5 hours and call our Technical Support Team!**

Please follow our instructions carefully and always test the towing electrics using a true lighting board or a specifically designed bulb tester. If an LED tester is used, ensure it is equipped with correct load resistors or malfunctions will occur!

This instruction is subject to changes and we reserve the right to make changes to design, colour etc.

All of the data and illustrations may not be an exact representation but the text contained in this instruction must be observed!

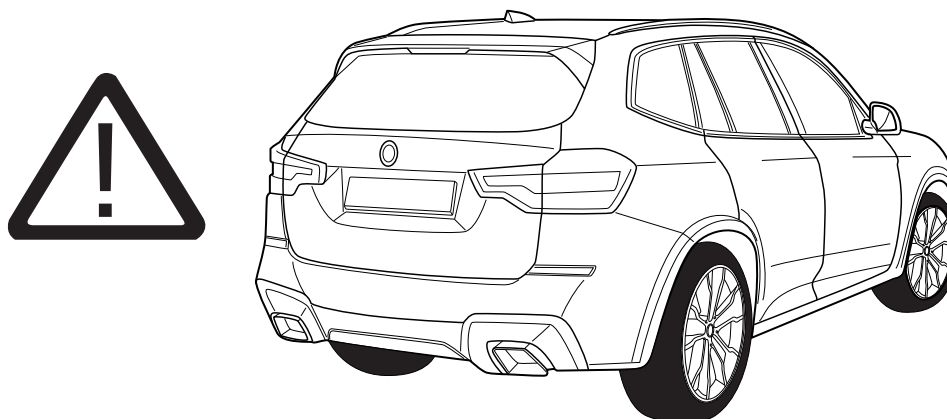
BMW X5 G05

BMW X6 G06

BMW X7 G07

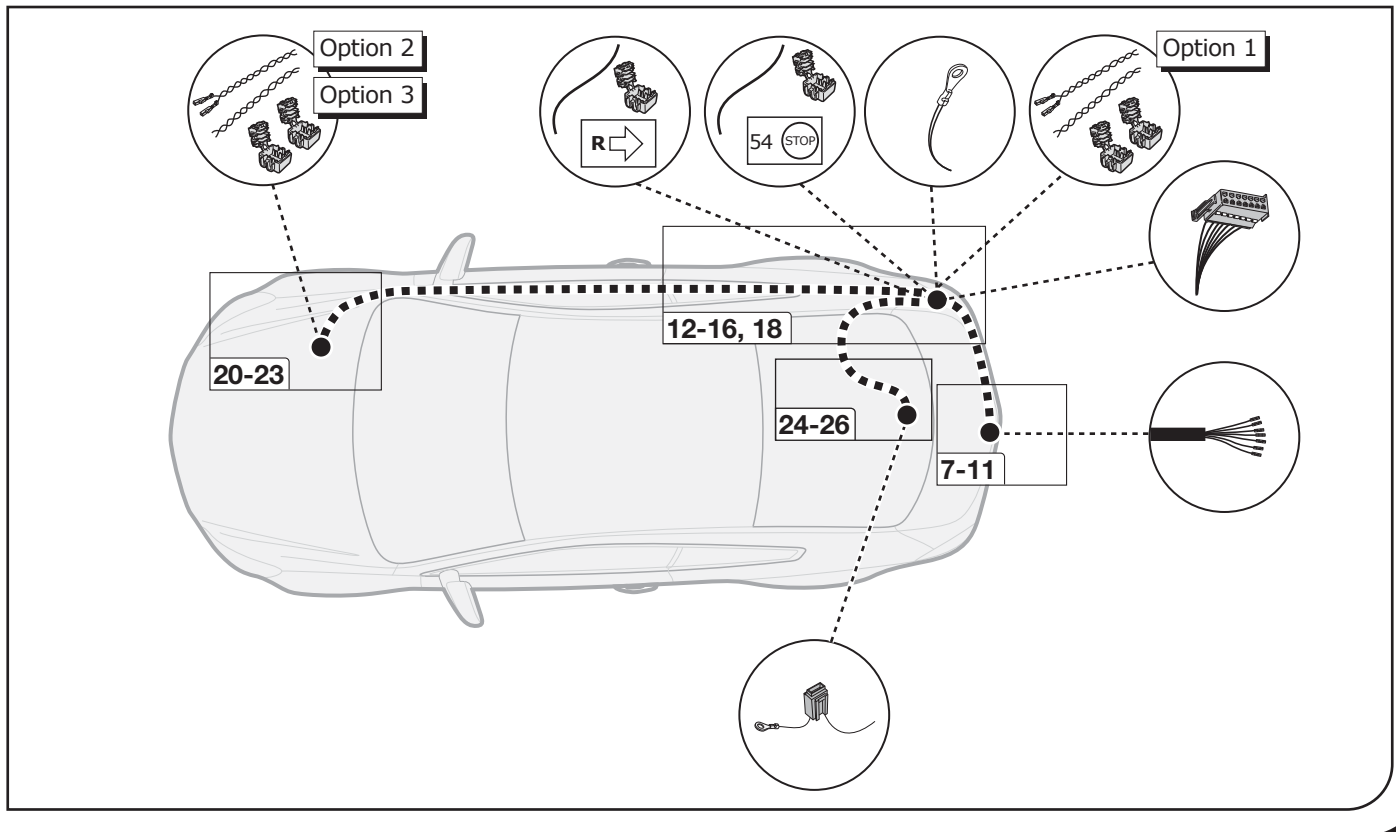
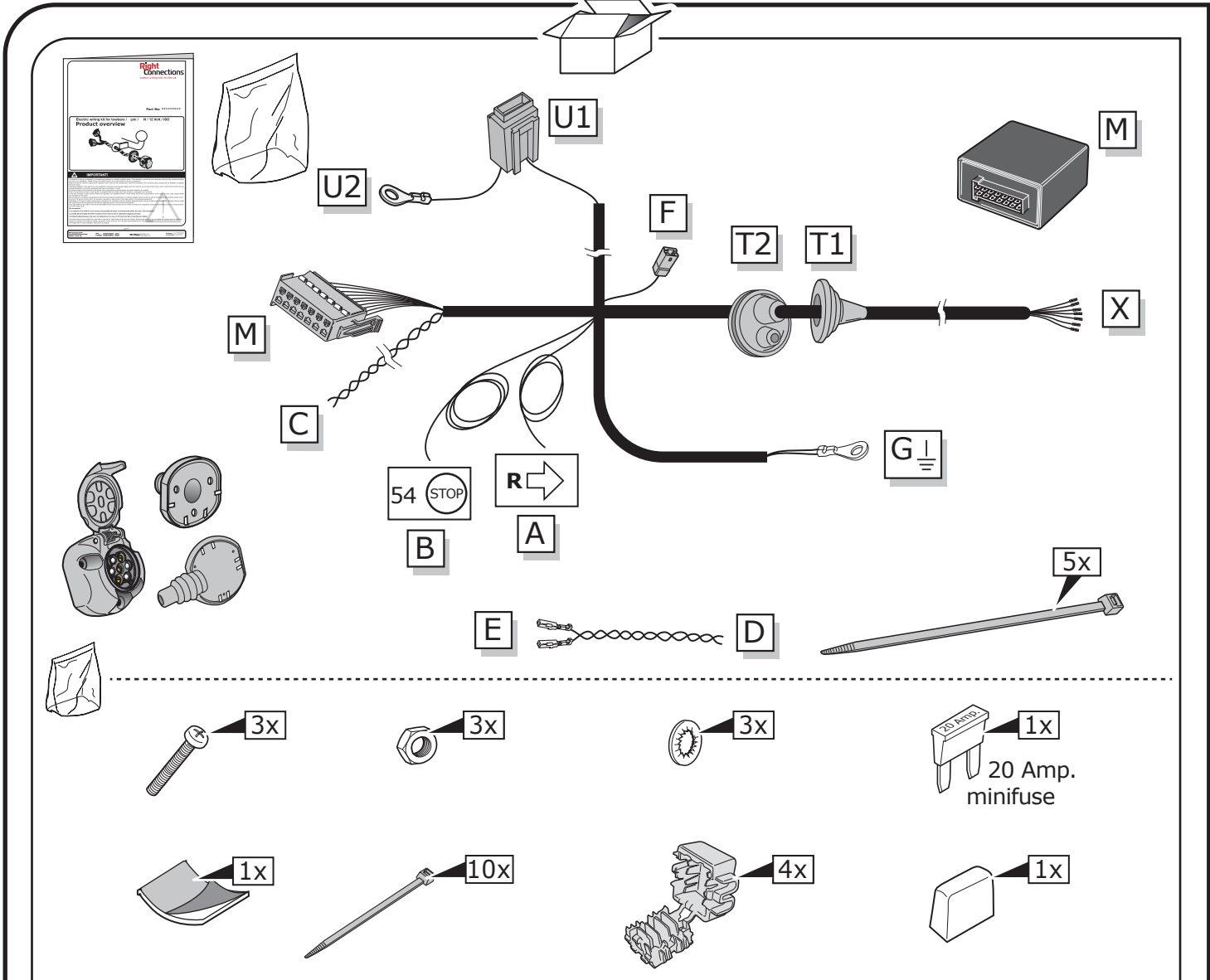


**This kit does not support any of the assistance systems of the vehicle.
Vehicle assistance systems may have to be deactivated manually
when towing a trailer!**



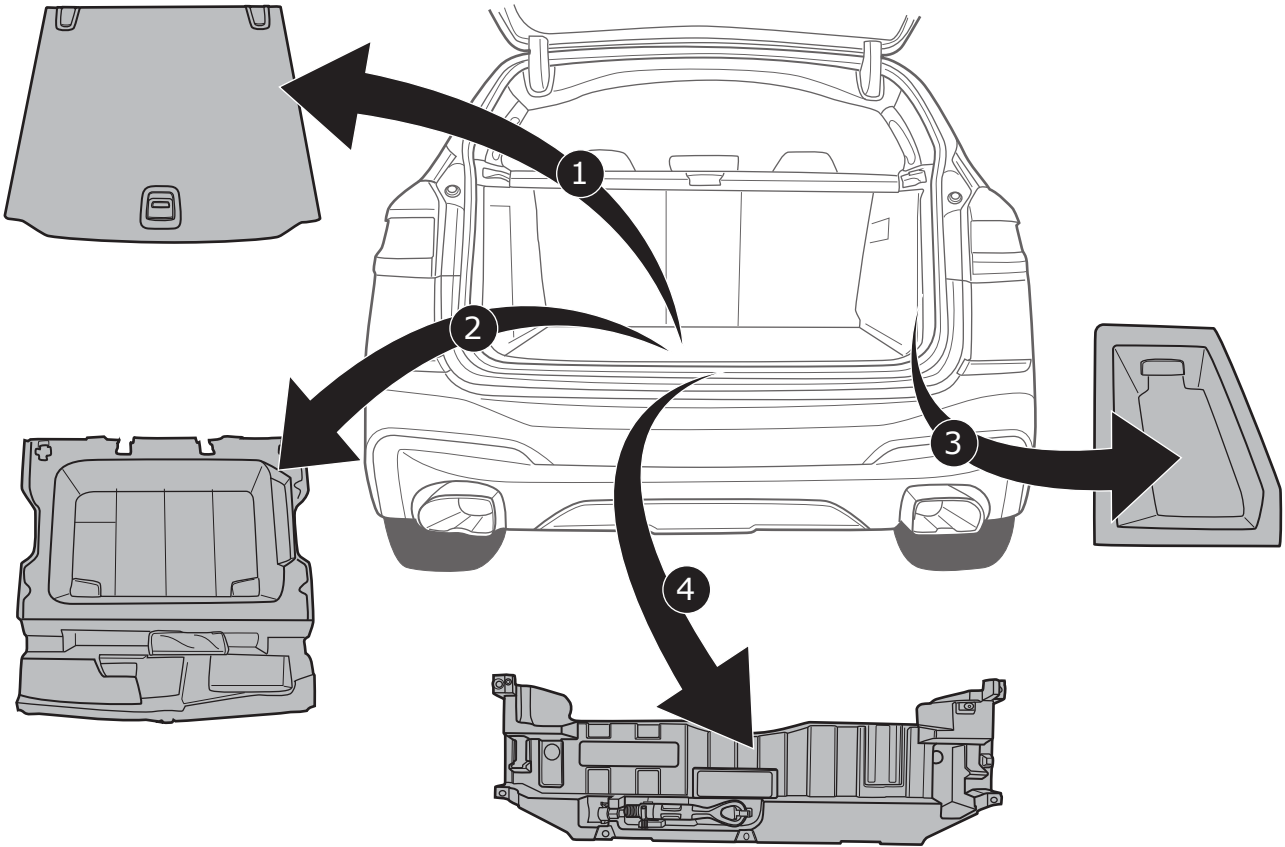
**Please note that the operation of the electric tailgate will continue
to function with a bicycle carrier/trailer/caravan attached.
It must be operated manually.**

INFO

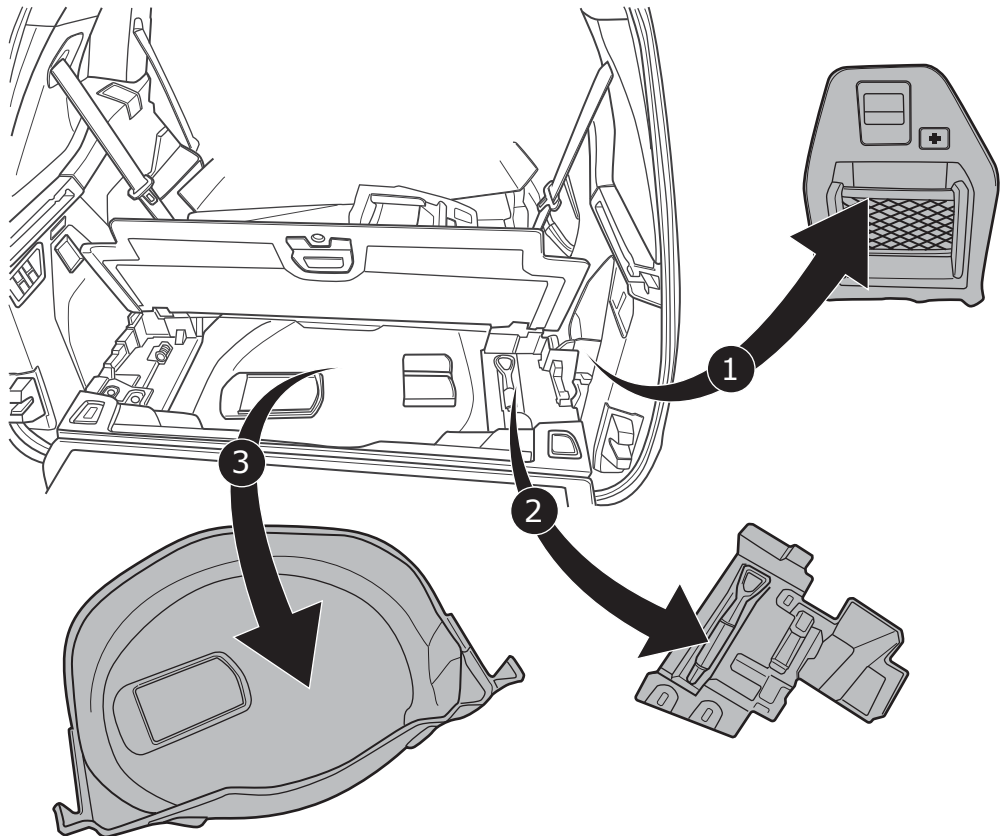


BMW X5 G05

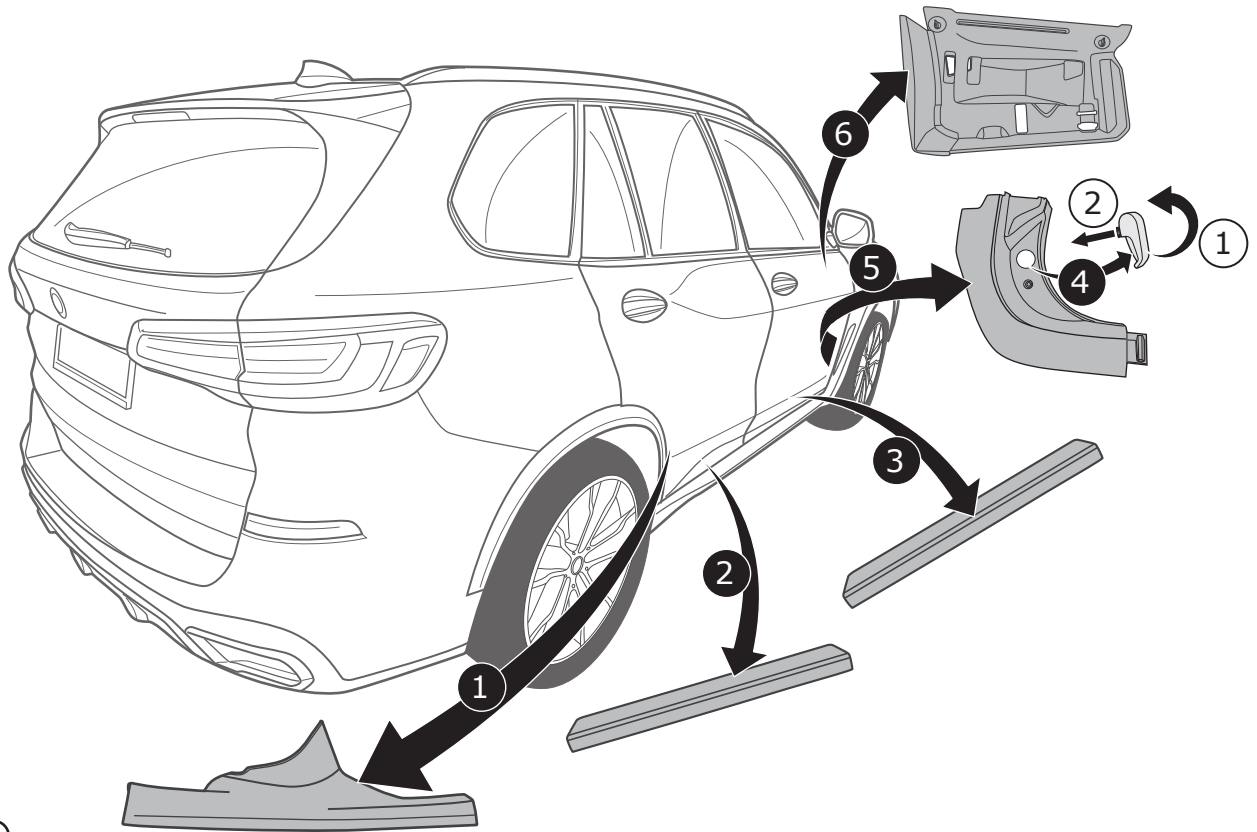
BMW X6 G06



BMW X7 G07



2



3

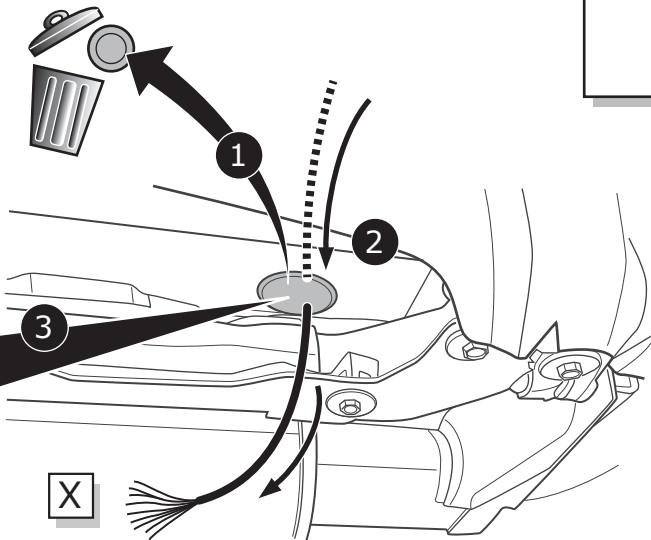
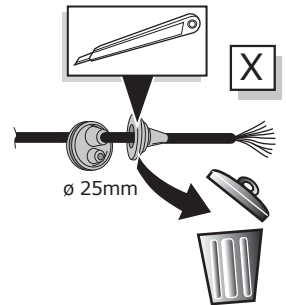


Option 1

BMW X5 G05

BMW X6 G06

INFO

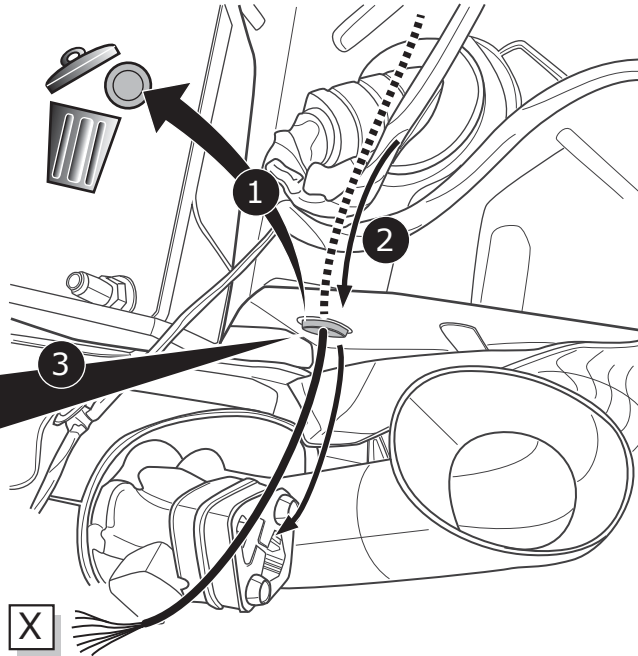


4

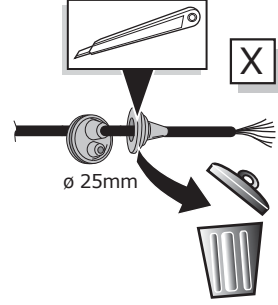


Option 1

BMW X7 G07



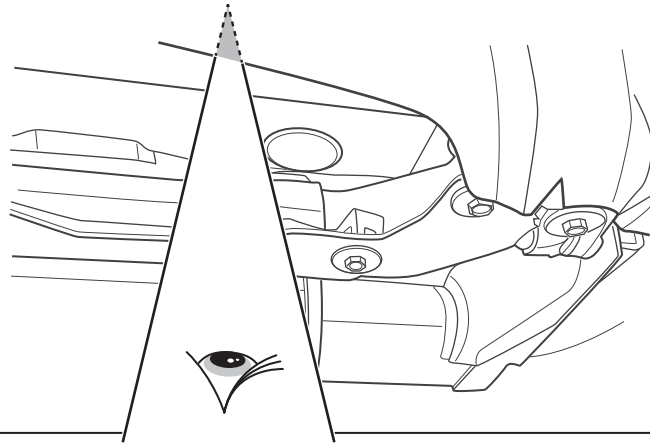
INFO



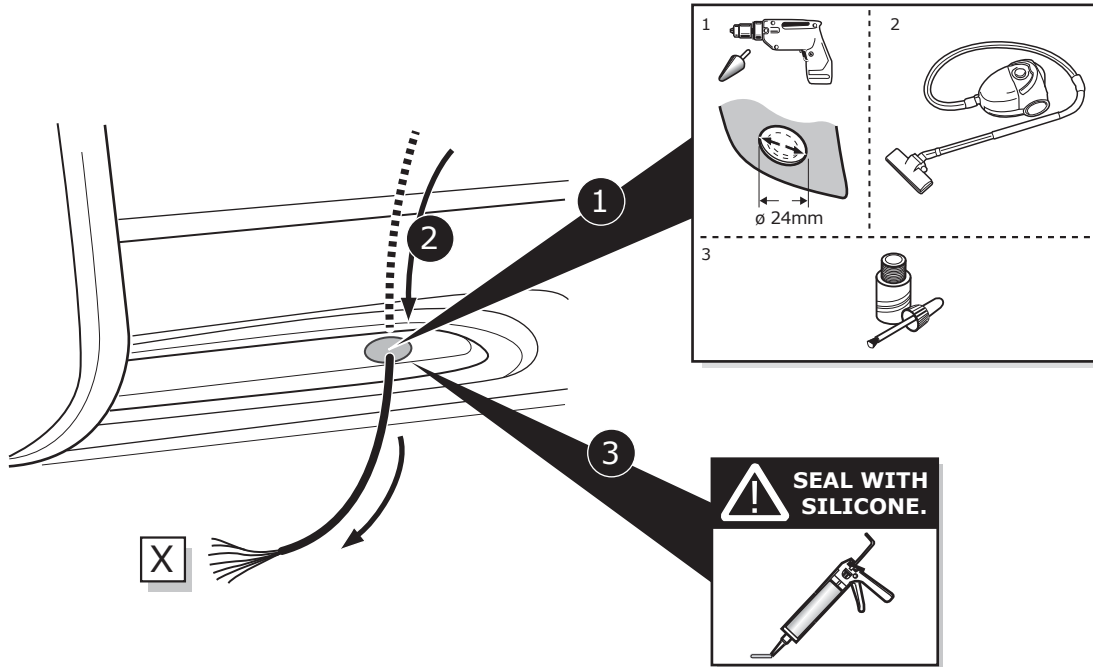
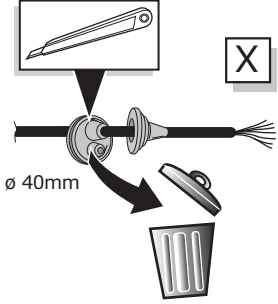
5



Option 2

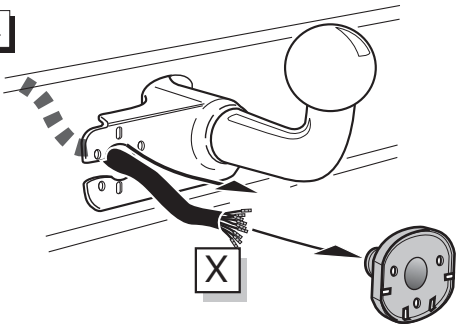


INFO

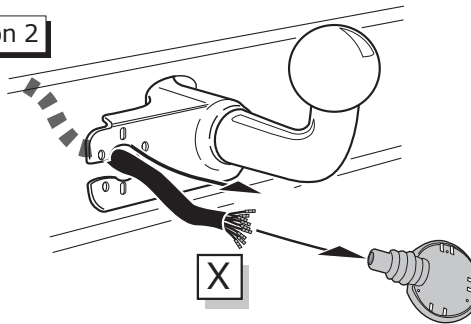


6

Option 1



Option 2



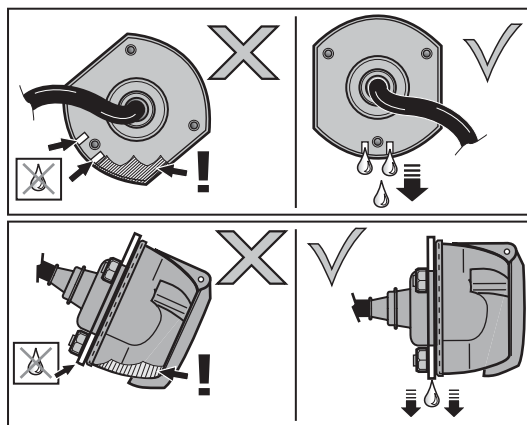
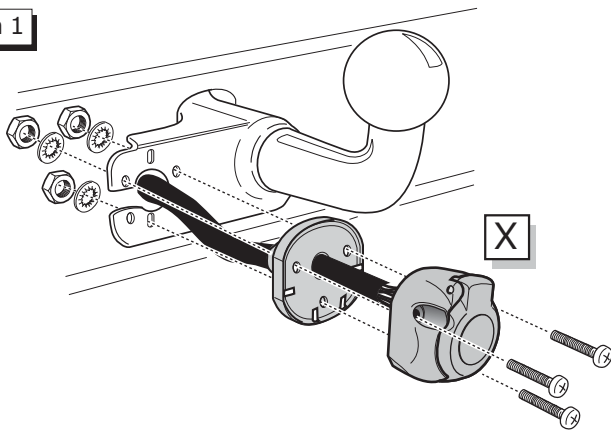
7

SOCKET CONNECTION

DIN/ISO 1724			$\frac{1}{1-7}$				
	1/L	2	3/31	4/R	5/58-R	6/54	7/58-L
Pmax	21W	21W		21W	42W	3x21W	42W
	Yellow	Blue	White	Green	Brown	Red	Black

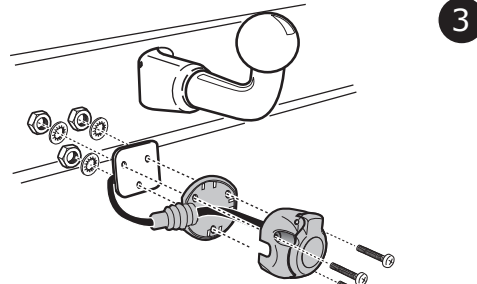
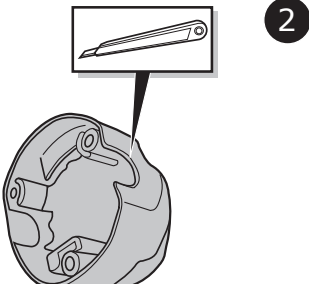
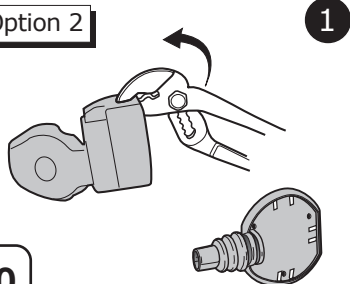
8

Option 1



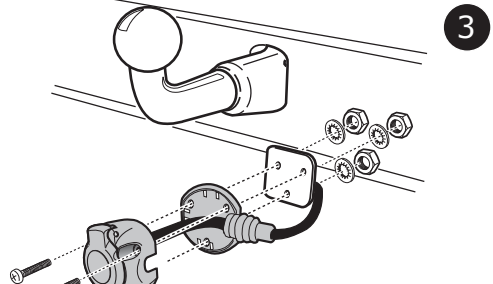
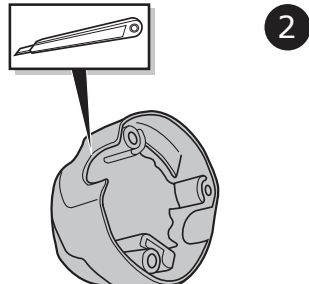
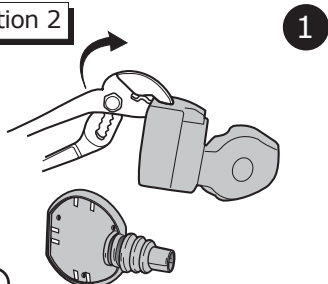
9

Option 2



10

Option 2

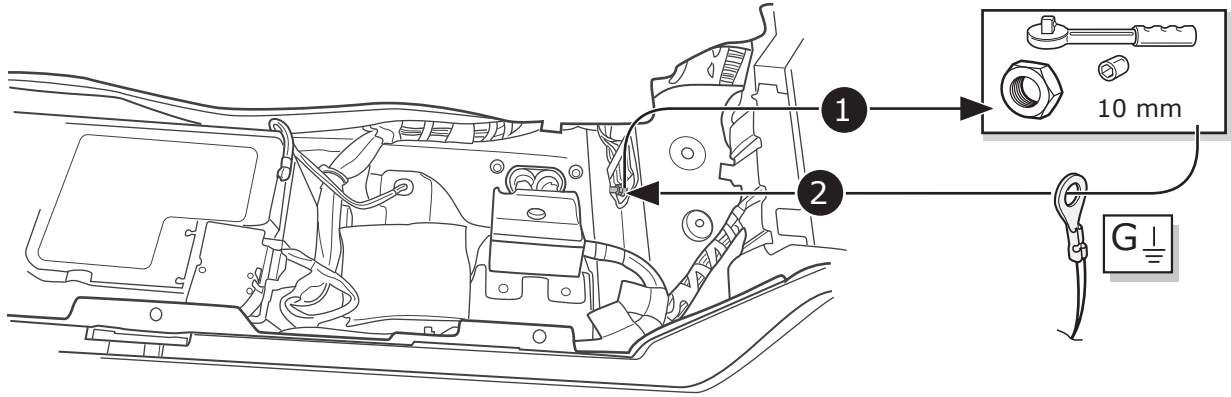


11

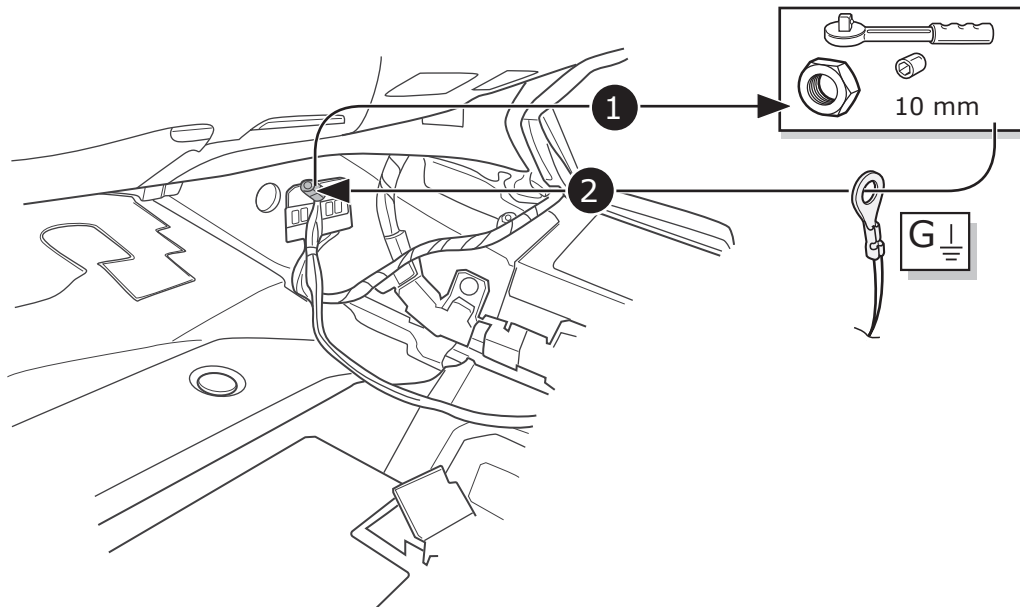


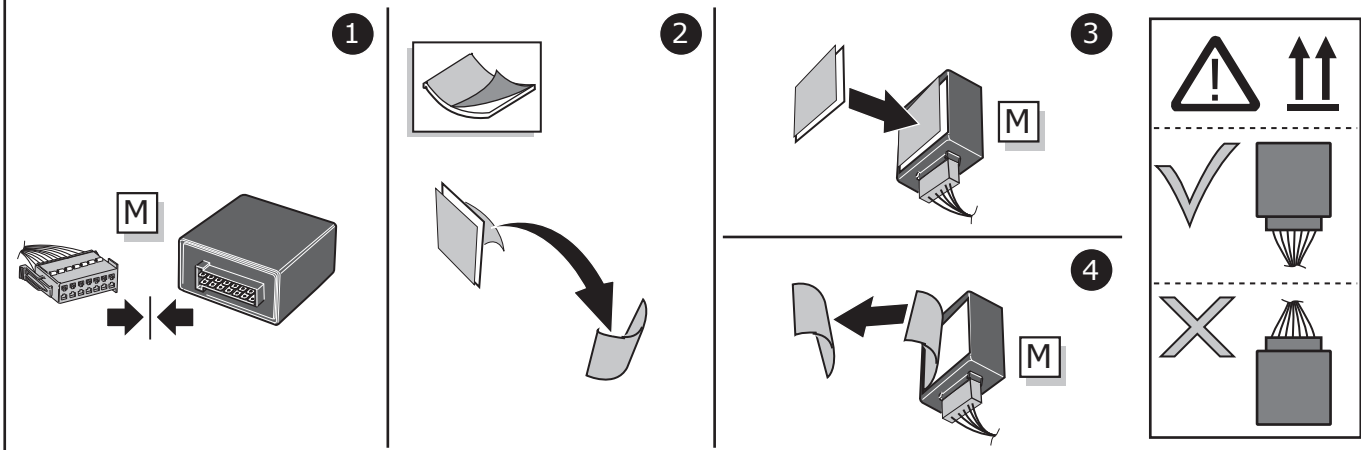
BMW X5 G05

BMW X6 G06

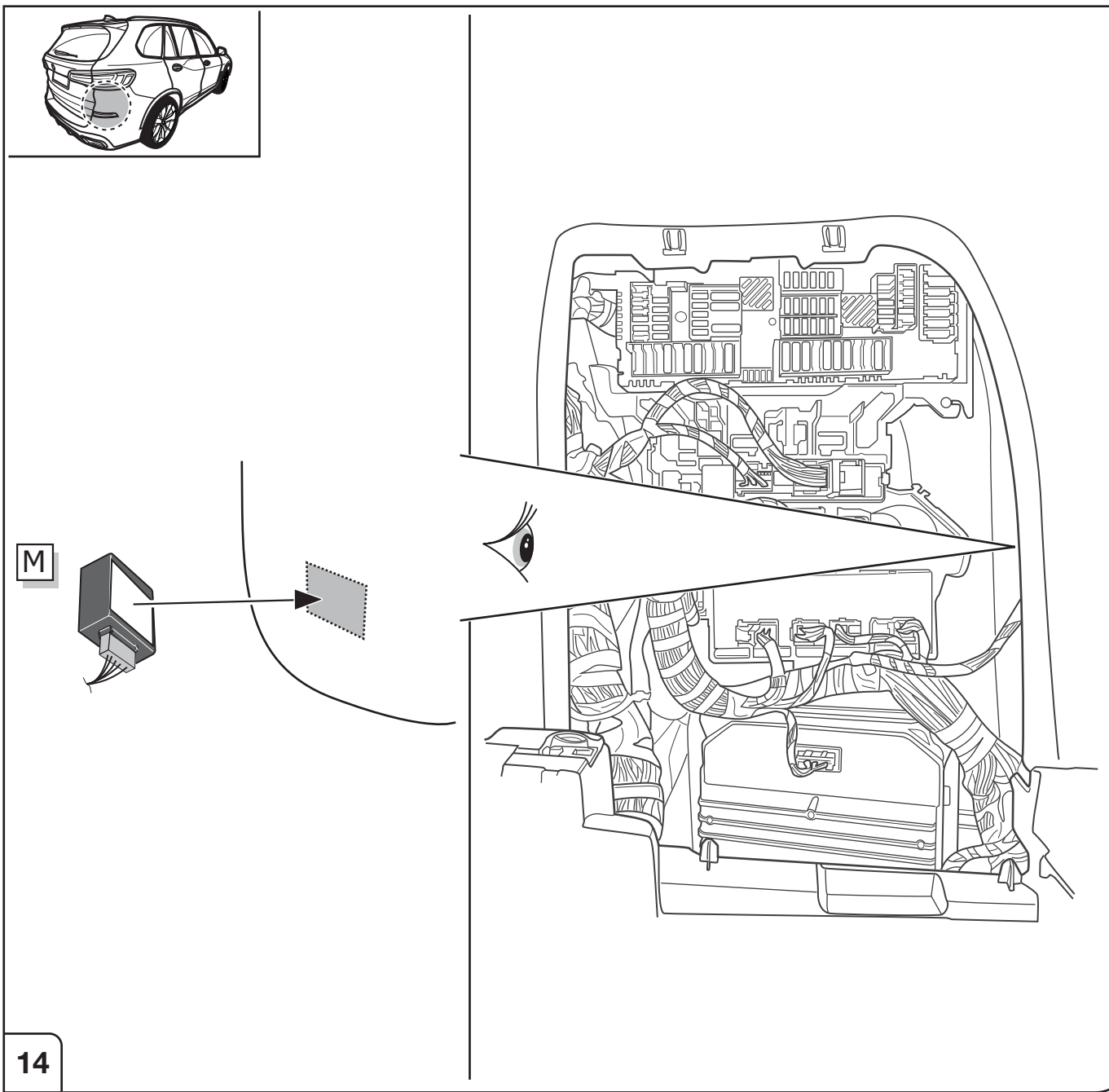


BMW X7 G07

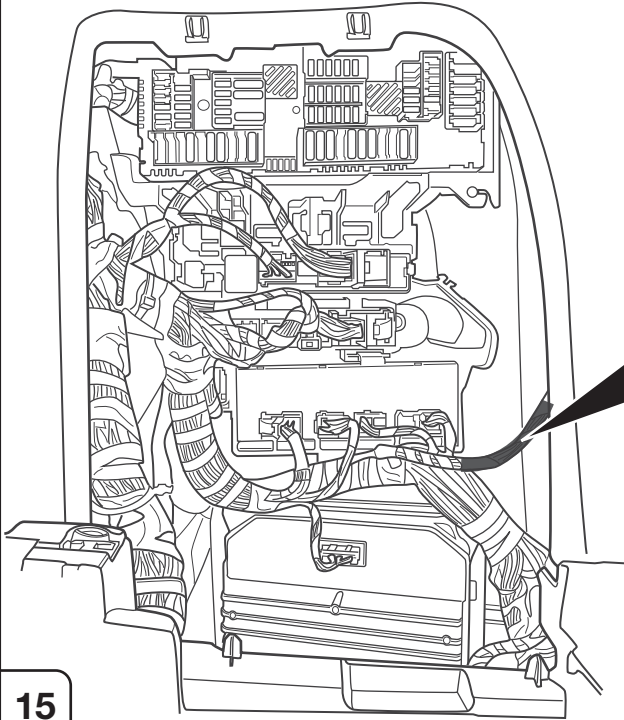
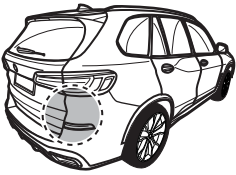




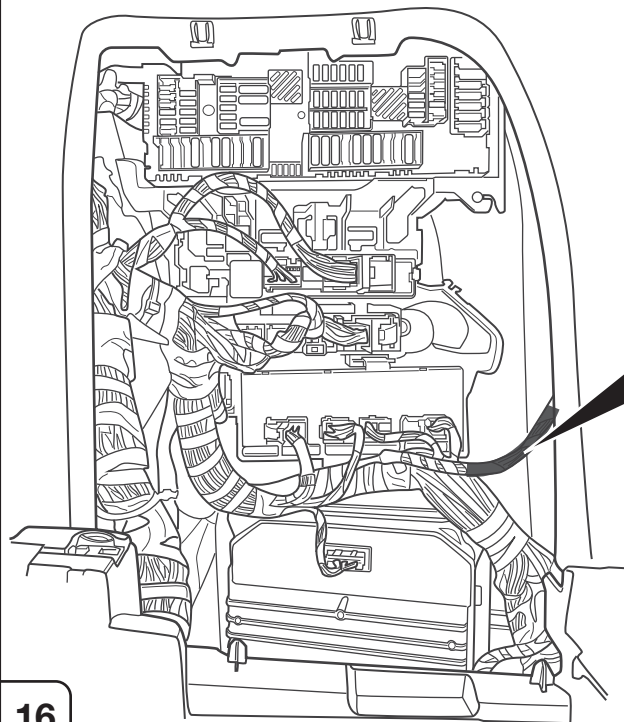
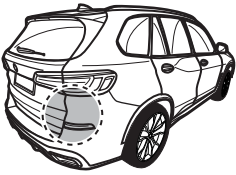
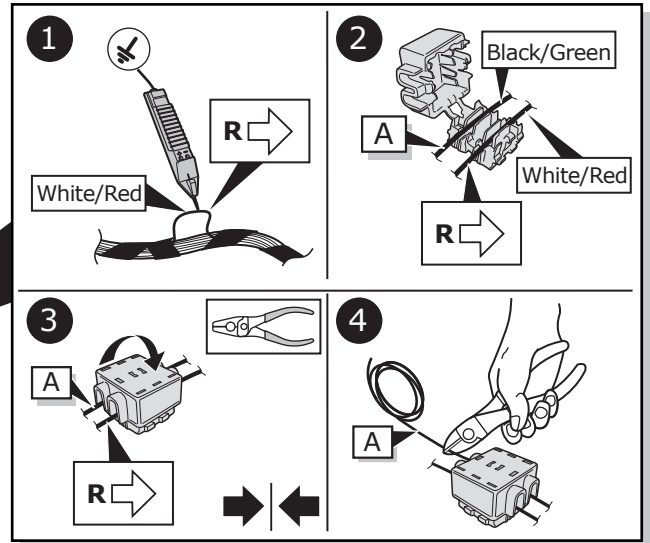
13



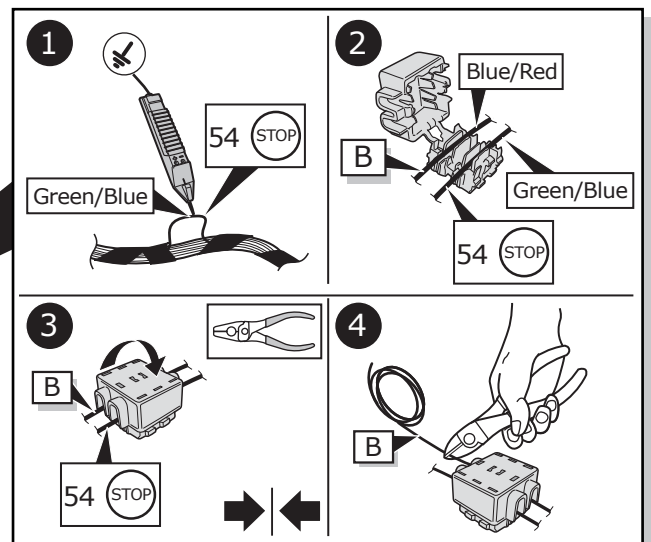
14



15



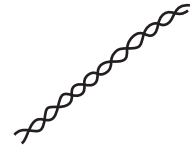
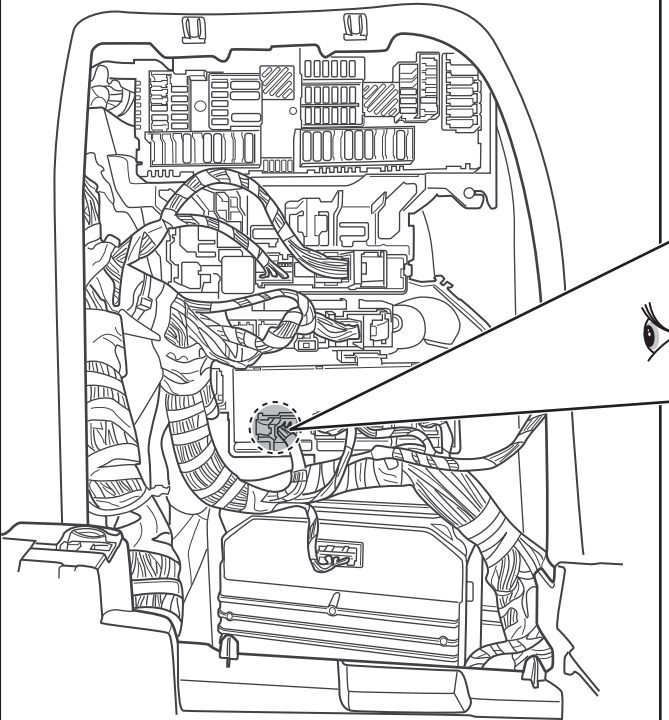
16



CAN-Data Wire

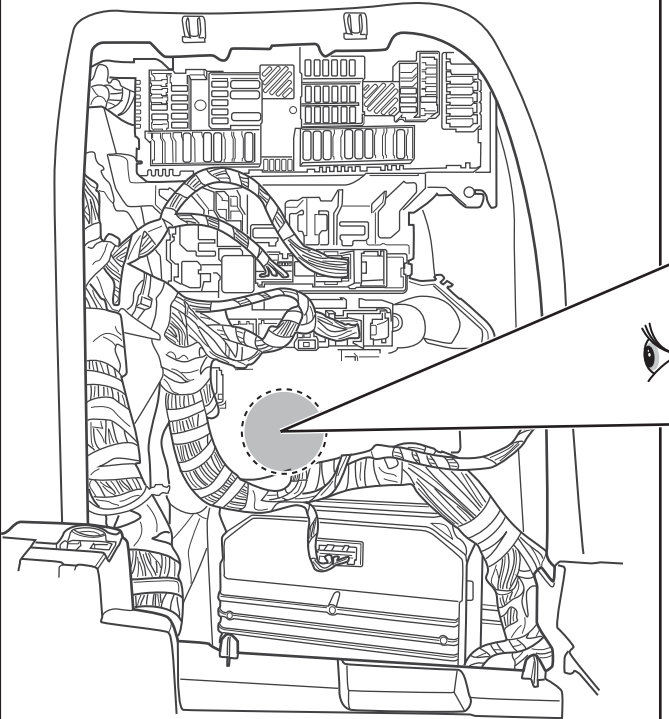
Yellow/Red or Blue/Grey

Yellow/Brown or Brown/Grey



Option 1

Boot lid module



No CAN-data wire available in boot



Option 2

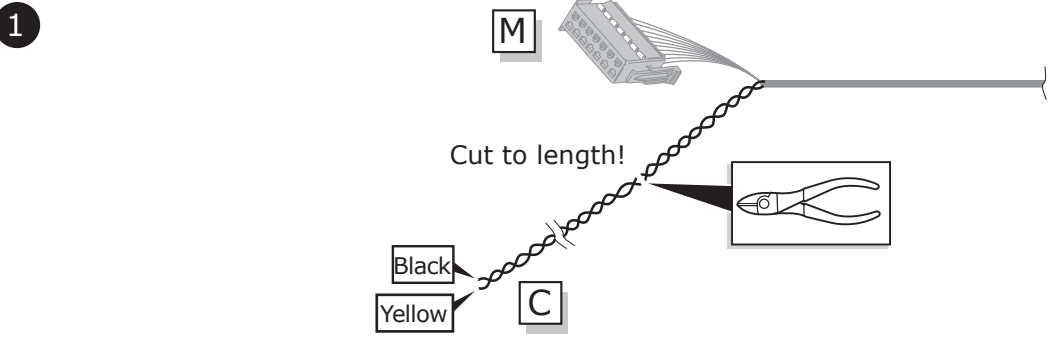
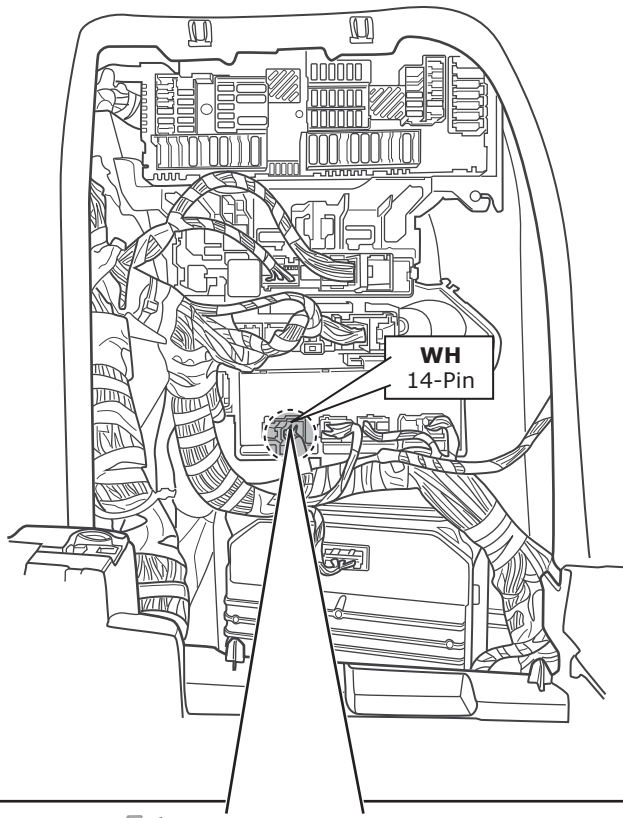
Option 3

Option 1

BMW X5 G05

BMW X6 G06

BMW X7 G07

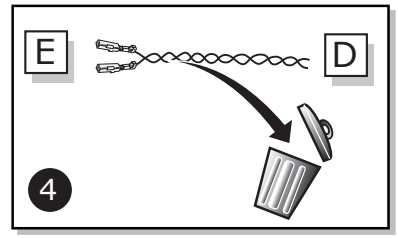


CAN-Data Wire

Yellow/Red or Blue/Grey

Yellow/Brown or Brown/Grey

Important!
Please note
informations in
picture 1!



Yellow/Brown
or
Brown/Grey
CAN Low =
14-pin connector **White**
Chamber 14

Yellow/Red
or
Blue/Grey
CAN High =
14-pin connector **White**
Chamber 13

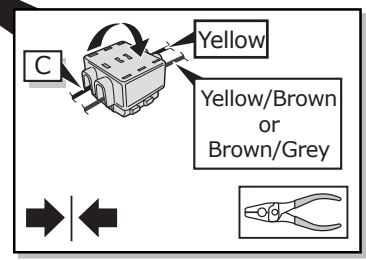
3

Yellow

2

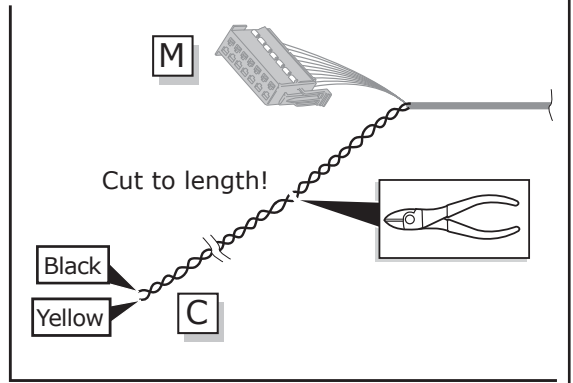
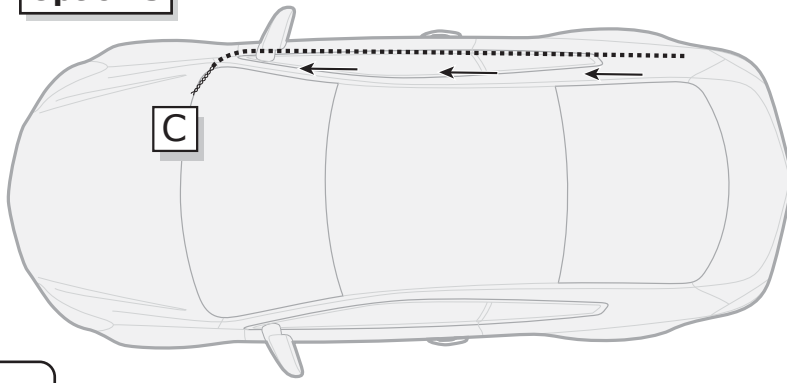
Black

C



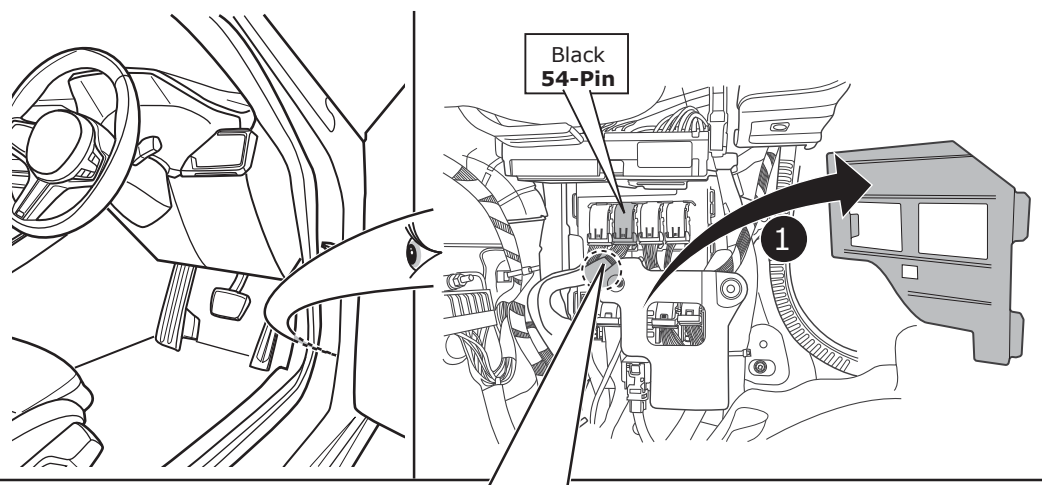
Option 2

Option 3

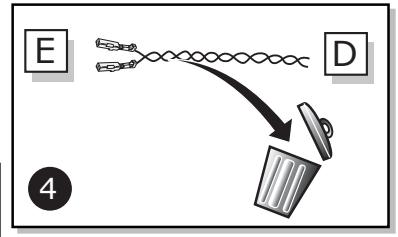
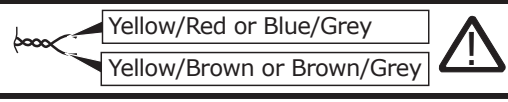


19

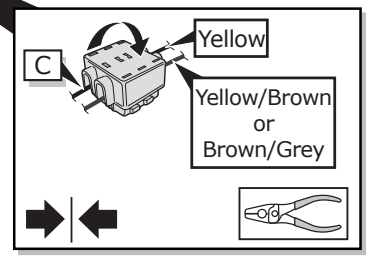
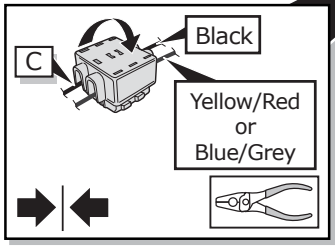
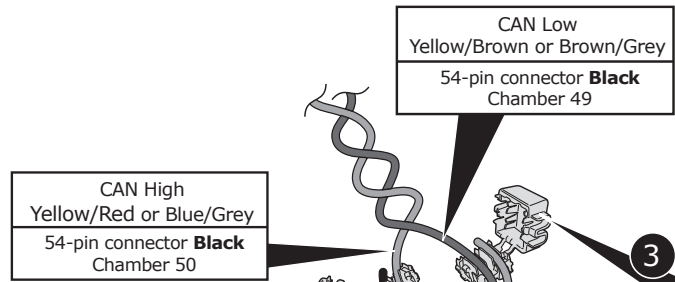
Option 2



CAN-Data Wire

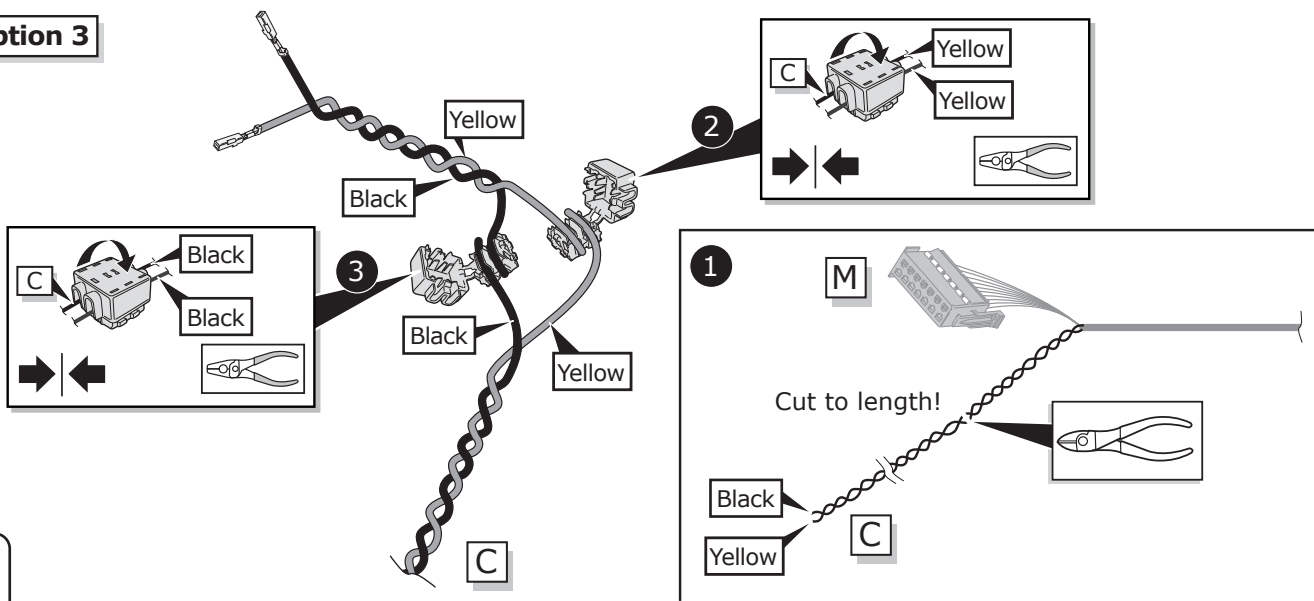


!
Important!
Please note
informations in
picture 1!

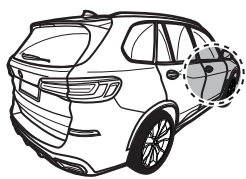


20

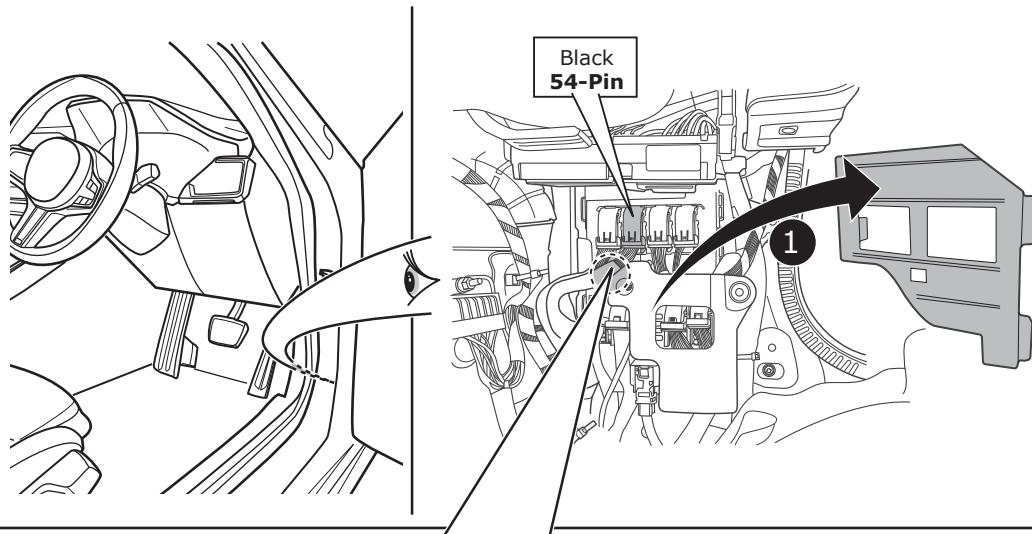
Option 3



21



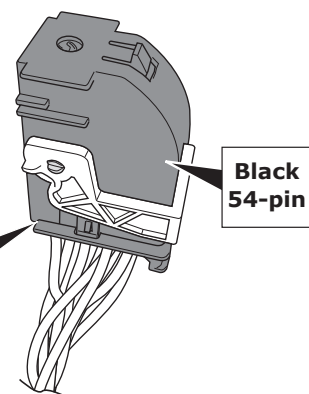
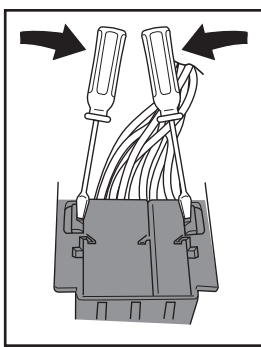
Option 3



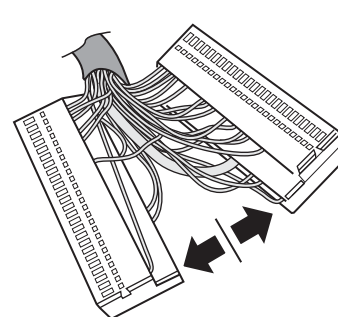
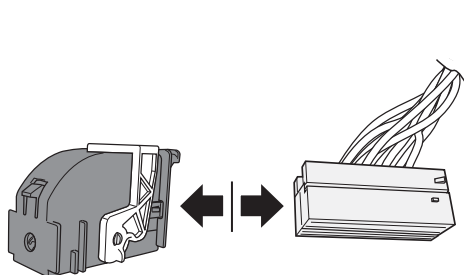
CAN-Data Wire



Important!
Please note
informations in
picture 1!

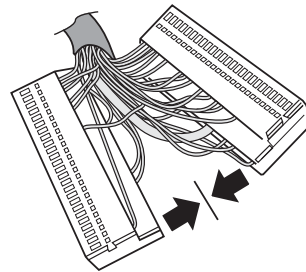
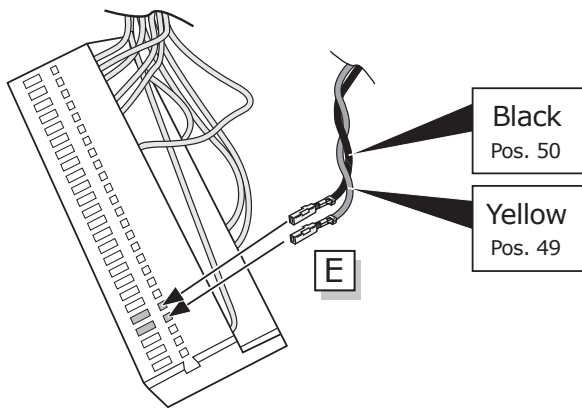


22

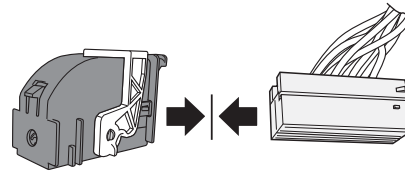


Option 3

4

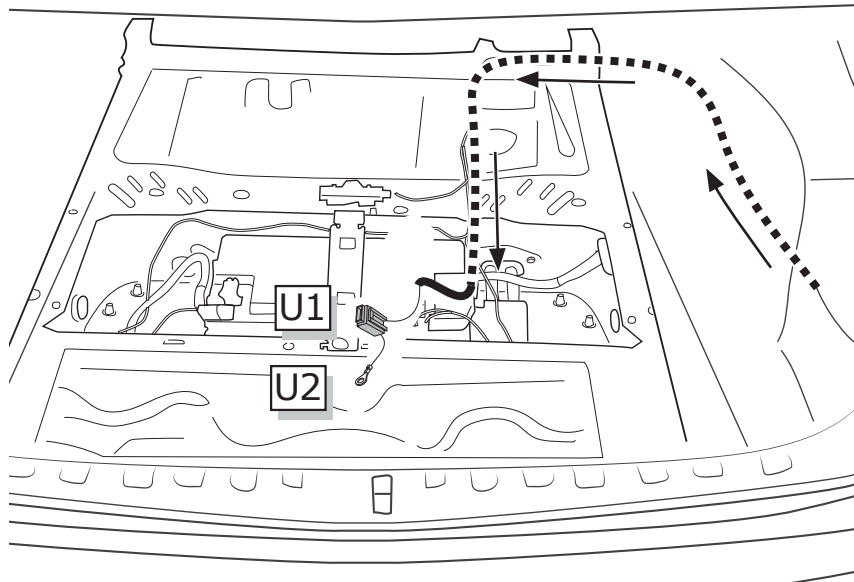


5

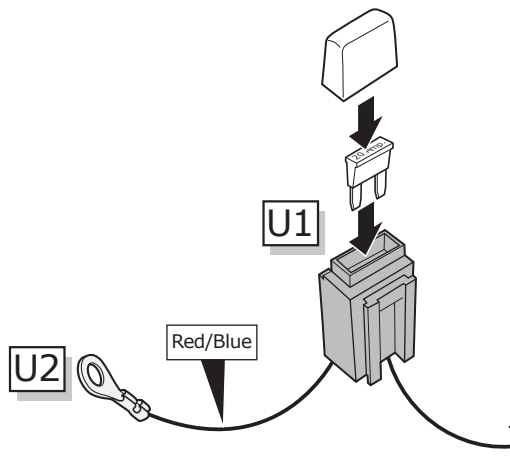


6

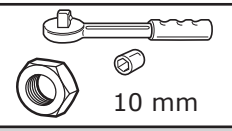
23



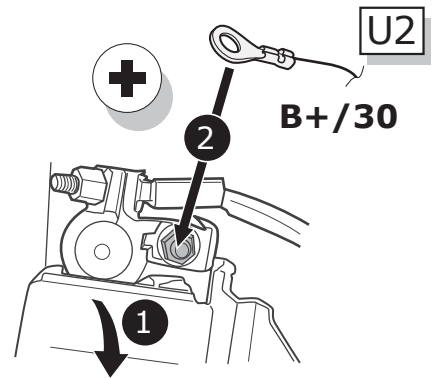
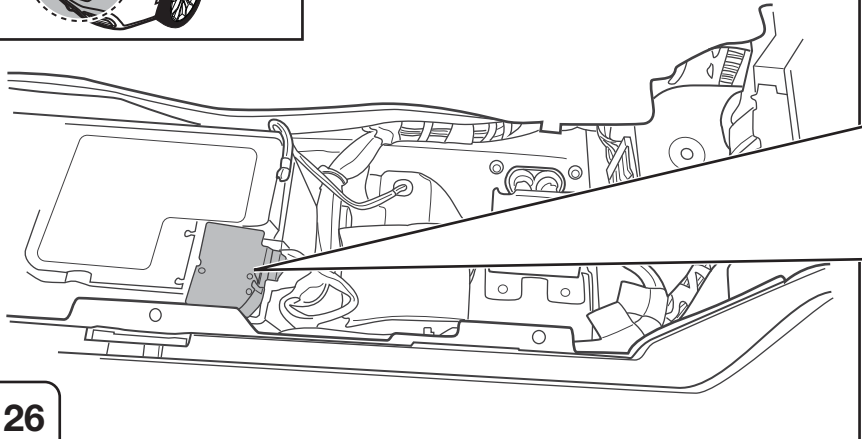
24



25

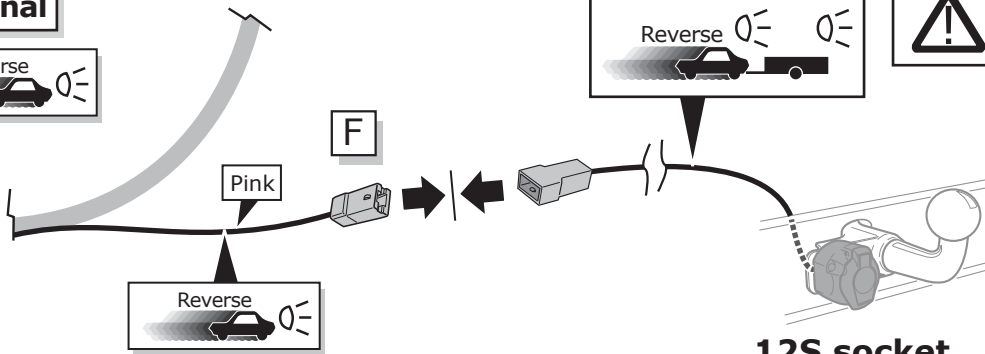


10 mm



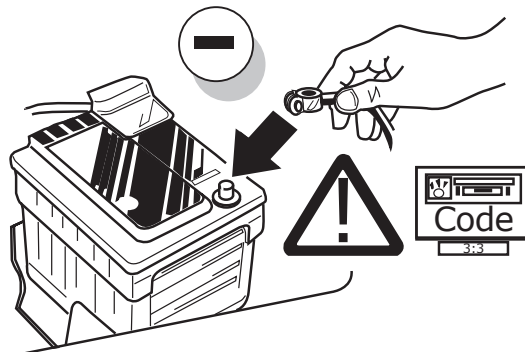
26

Optional



27

12S socket

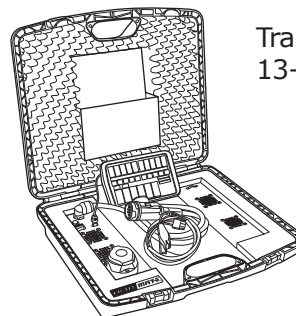


28

Optional



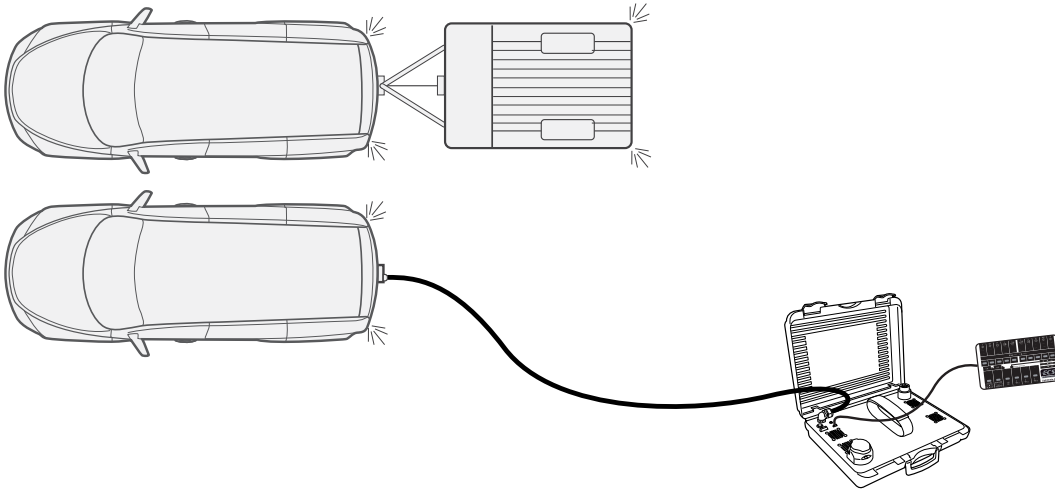
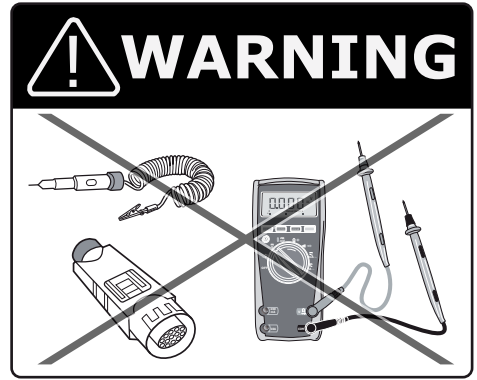
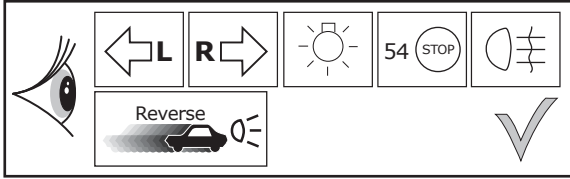
Right Connections
towbar wiring kits for the uk



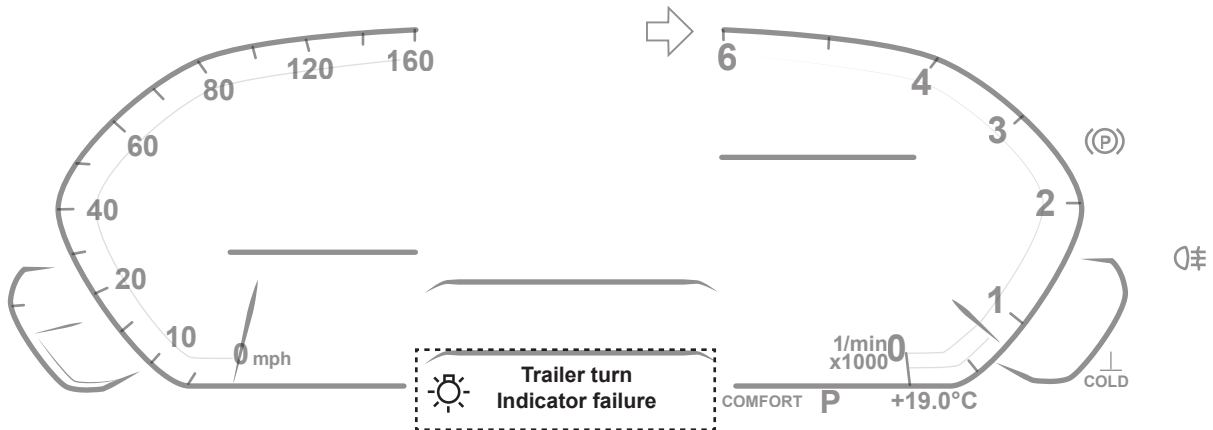
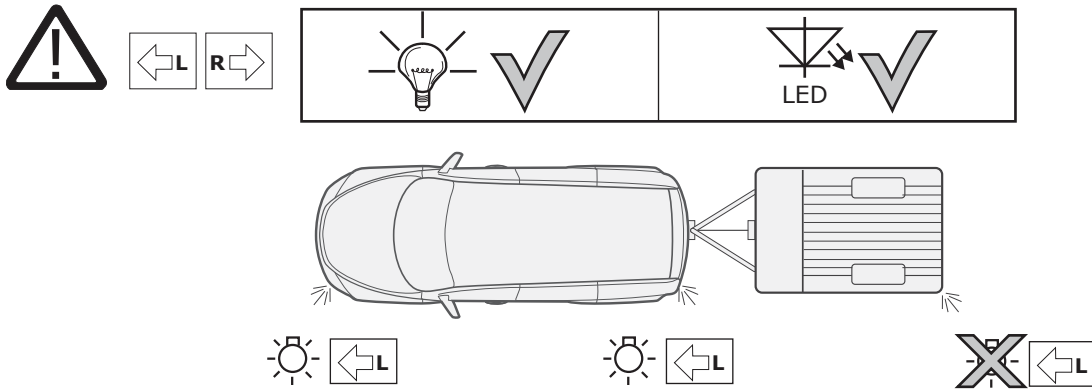
Trailer Simulator for 7- and 13-pin Sockets

29

Functional test



30



31

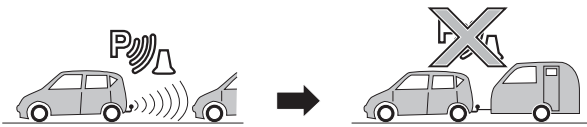


The following lamp functions for the trailer are not supported by all towing vehicles with DRL circuit:

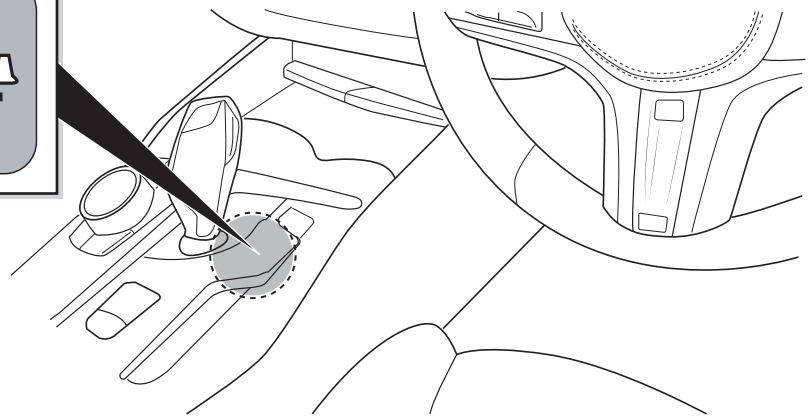
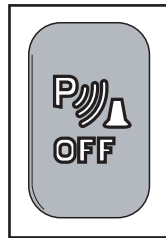
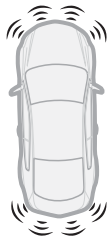
- Rear lights
- Side lights
- Numberplate lights

The parking lights or dimmed headlights must be switched on to activate this function!

32



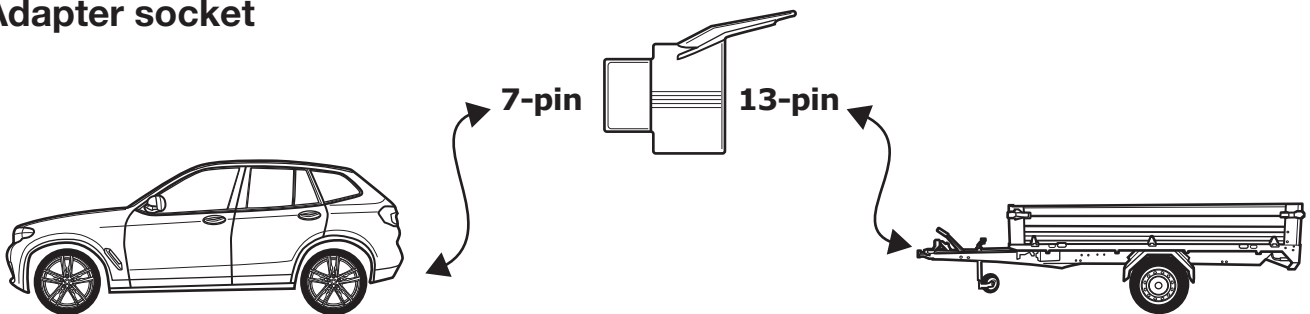
Front and rear PDC



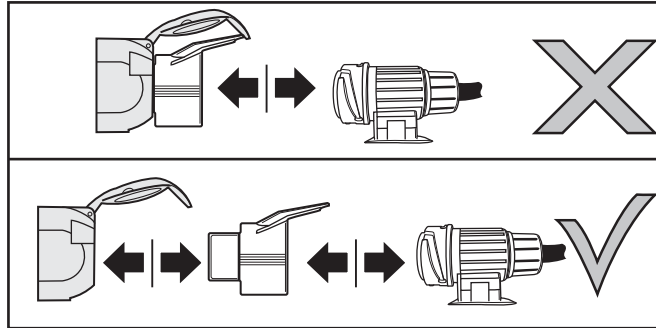
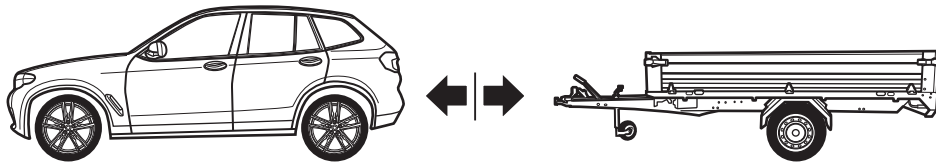
33

Optional

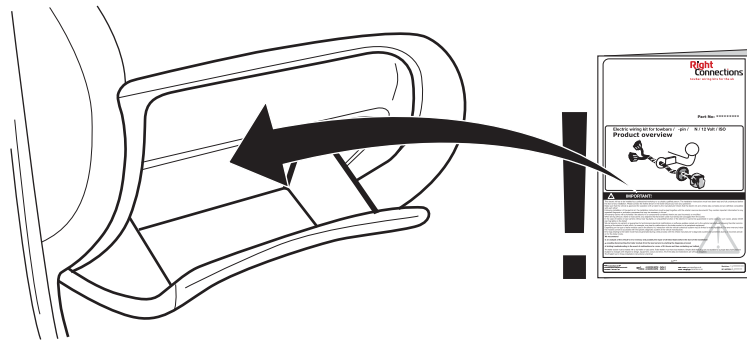
Adapter socket



34



35



36